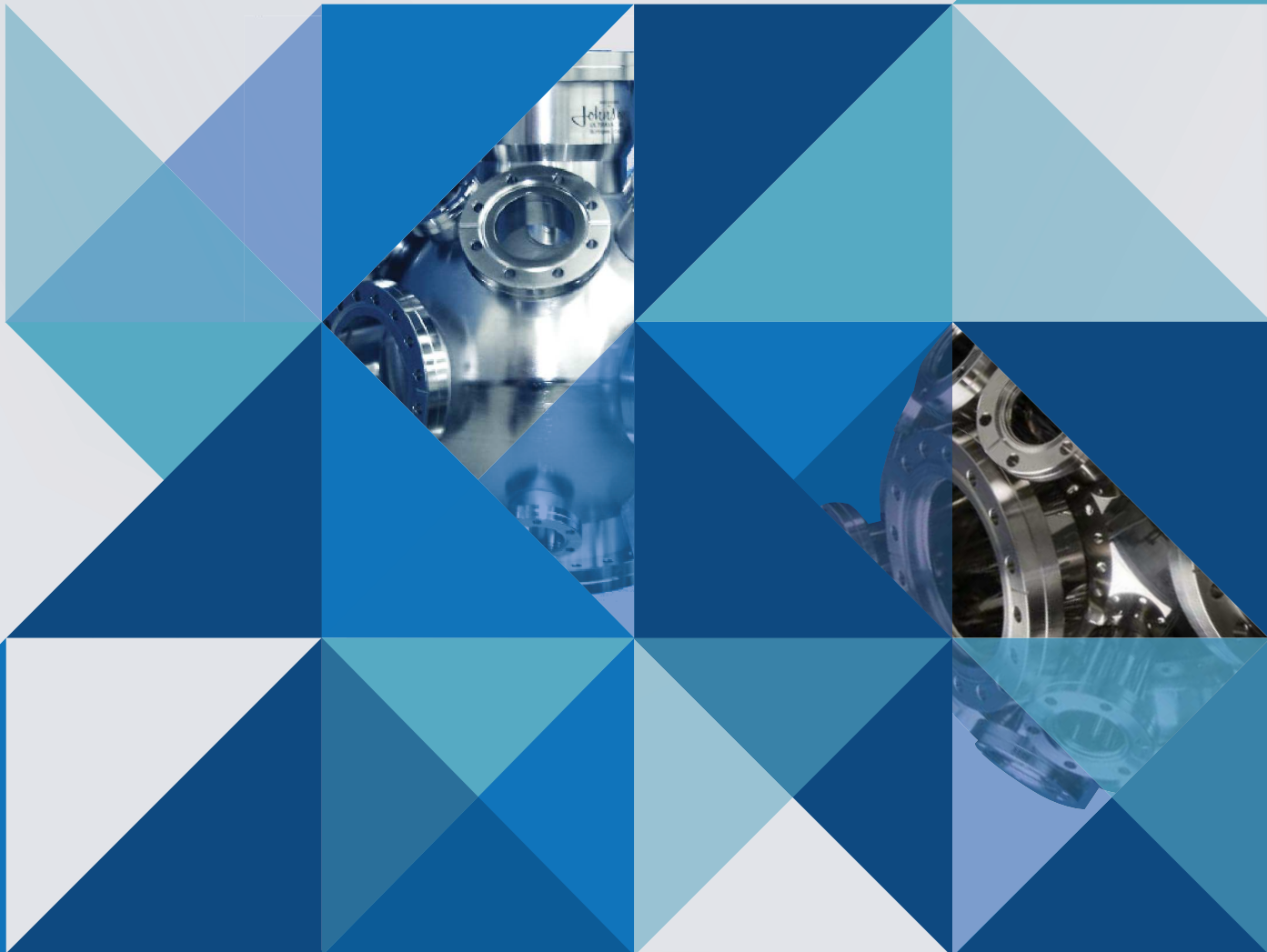


# **vacuum**

---

# SOLUTION

There is always something to do with vacuum tech in life.



## KF SERIES

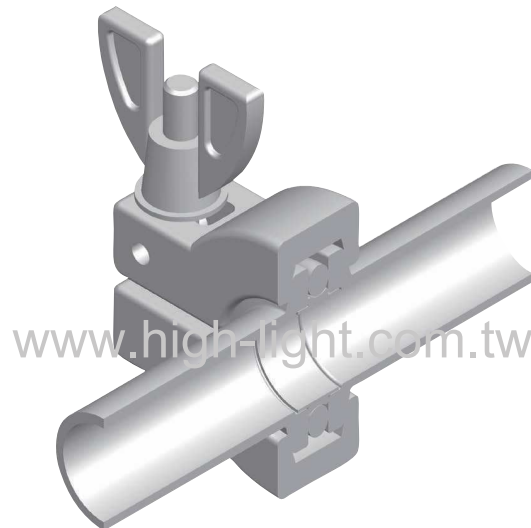
General Information .....	1-I
Complete Clamp Assemblies .....	1-II
Application for KF Components .....	1-III
Connections of KF-series Fittings .....	1-IV
Center Ring .....	1-V
Blank .....	1-1
Bored Blank .....	1-2
Socket Weld Flange .....	1-2,1-3
Half Nipple (Short) .....	1-4
Half Nipple (Long) .....	1-5
Half Nipple (Short for JIS Pipe) .....	1-6
Half Nipple (Long for JIS Pipe) .....	1-6
Clamp .....	1-7
Nail Clamp .....	1-7
Cap .....	1-8
KF Braided Flexible Hoses .....	1-9
KF Flexible Hoses .....	1-10
KF Compressible Bellows Connections .....	1-11

# 01

## SECTION CONTENTS

KF 90° Elbows .....	1-12
KF Tees .....	1-12
KF 4-Way Crosses .....	1-13
KF Unequal Tees .....	1-14
KF Centering Ring .....	1-15
KF Centering Ring with O'Ring .....	1-16
KF Centering Ring, with Outer Ring & O'Ring .....	1-17
KF Centering Ring Adaptor, O'Ring .....	1-18
KF Meshed Centering Ring .....	1-19
KF Overpressure Ring .....	1-20

## General Information



### Features

- The typical KF or NW assembly consists of two identical flanges, a center-ring, and an aluminum clamp with a wingnut fastener frequently connect and disconnect without tools.
- The vacuum seal is effected by uniform application of pressure by the clamp on 15° surface of the flange.
- The mating flange surfaces compress an O'ring ( held in place by metal centering ring ) to generate a seal.

### Specifications

- Blanks : 304 S.S. (Other material available upon request)
- Flanges : 304 S.S. (Other material available upon request)
- Fittings : 304 S.S. (Other material available upon request)
- Clamp : Aluminum
- O'ring material : Viton or NBR
- Temperature Range : 150°C ( Viton ) 80°C ( NBR )
- Vacuum Rate : 10<sup>-8</sup> torr
- Larger or special size available upon request

## Complete Clamp Assemblies

WING NUT

WASHER

EYE BOLT

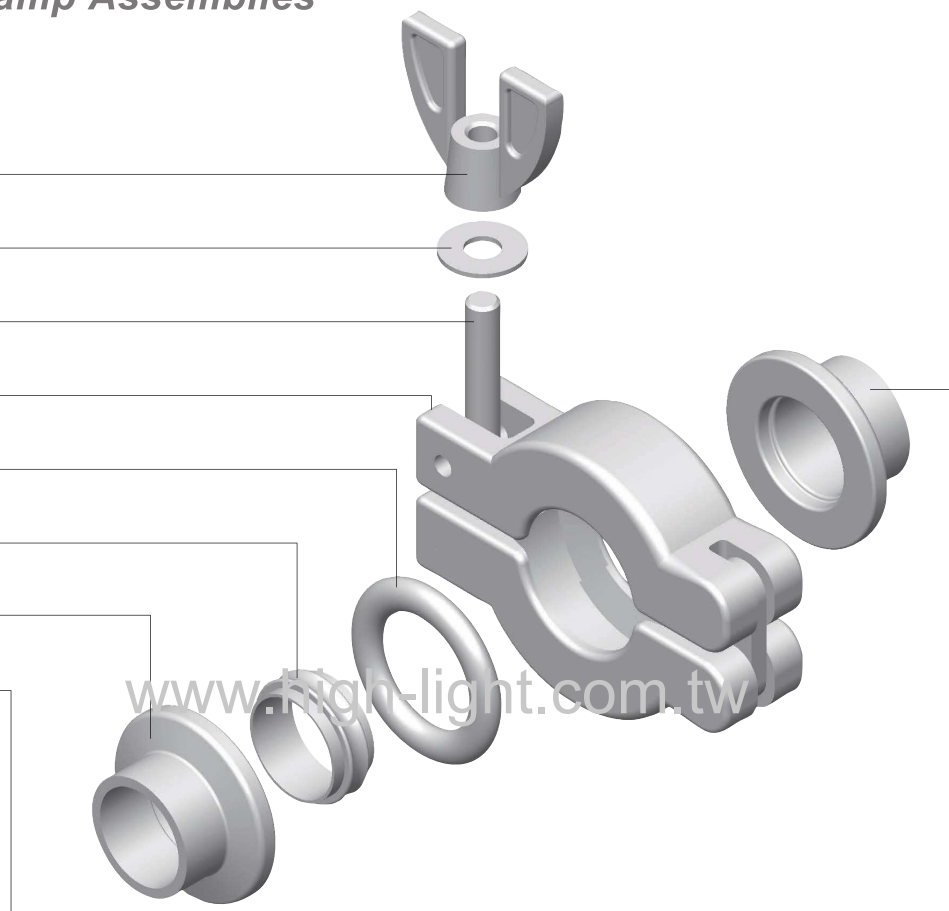
HINGED CLAMP

O-RING

CENTERING RING

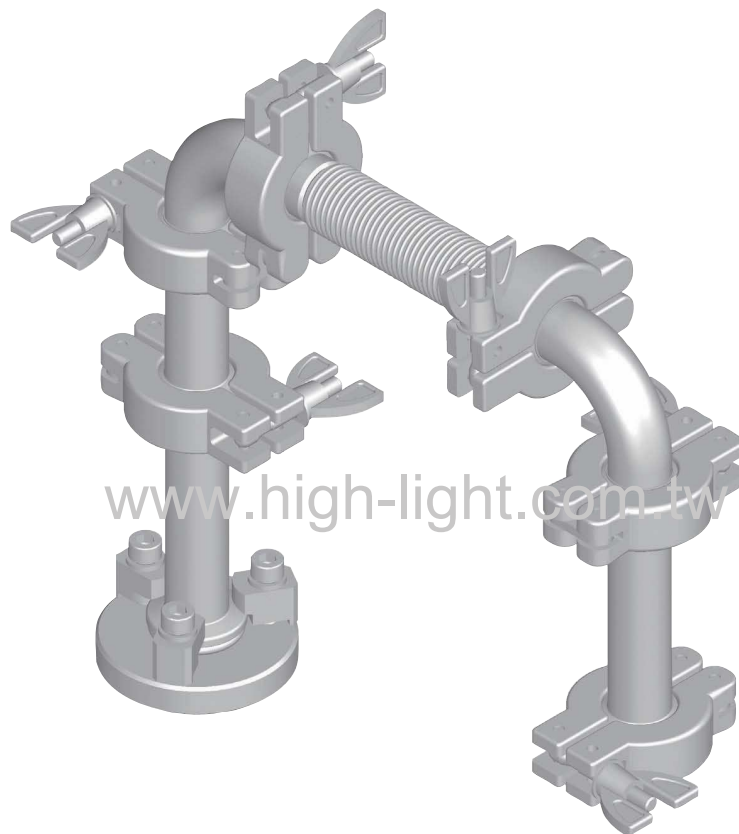
WELD FLANGE

WELD FLANGE



- Hinged Clamp assemblies, detailed above, are the most commonly used method for making KF-Flange vacuum seal connections. Assembly is simplified by the 360° rotatable flanges and self-centering feature of the centering ring.
- Pressure is applied uniformly around the 15° outer surface of both flanges by finger-tightening the single wingnut until the first metal-to-metal contact is made between the spacing lips of the centering ring and the inner surface of the mating flanges. This compresses the O'ring between the flanges and makes the vacuum seal.

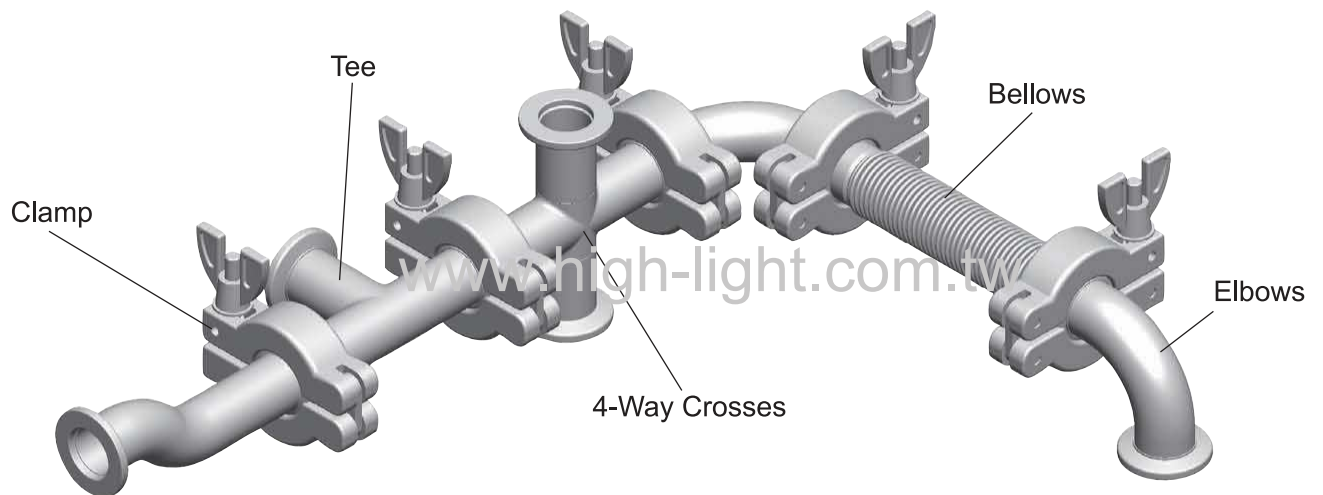
## Application for KF Components



Applications for this system are as varied as the imagination can make them. Some examples are:

- ❶ Roughing and foreline plumbing for large vacuum system.
- ❷ Small system.
- ❸ System demanding frequent change.
- ❹ System demanding frequent cleaning.
- ❺ Experimental system in research laboratories.
- ❻ Teaching laboratories.

## Connections of KF-series Fittings



## Center Ring



### Features

- Viton O'ring bakeable to 200°C intermittently, sustained use to 150°C.
- Vacuum seal of KF-series: O'ring compression by uniform pressure application around the 15° outer flange surface.
- The vacuum seal of ISO-series is made by compressing the O'ring between the mating flanges. This done by alternately wrench-tightening opposing pairs of clamps or bolts until the first metal-to-metal contact is made between the inner surfaces of the flanges and the spacing lips of the centering ring.

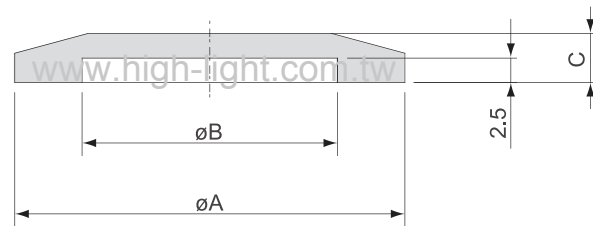
### Specifications

- Centering Ring : 304 S.S. (Other material available upon request)
- O'ring : Viton (Other material available upon request)
- Outer Ring : Aluminum
- Mesh : 304 S.S.
- Temperature Range : 150°C (Viton) 80°C (NBR)
- **Larger or special size available upon request**

### Applications

- The O'ring is considered a universal sealing device.  
Used as static, dynamic, radial or face seals.
- Vacuum seal.

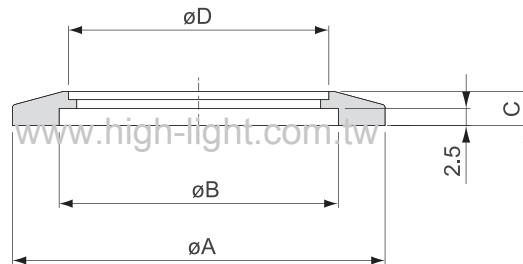
## Blank



Model No.	Material	A	B	C	Parts No.
KF10BS	304 S.S.	30	12.2	5	150101003
KF16BS	304 S.S.	30	17.2	5	150102003
KF25BS	304 S.S.	40	26.2	5	150103003
KF40BS	304 S.S.	55	41.2	5	150105003
KF50BS	304 S.S.	75	52.2	5	150106003
KF63BS	304 S.S.	87	70	5	150107003
KF80BS	304 S.S.	114	83	12	150108003
KF100BS	304 S.S.	134	102	12	150109003
KF160BS	304 S.S.	190	153	12	150112003
KF10BA	Aluminum	30	12.2	5	150101001
KF16BA	Aluminum	30	17.2	5	150102001
KF25BA	Aluminum	40	26.2	5	150103001
KF40BA	Aluminum	55	41.2	5	150105001
KF50BA	Aluminum	75	52.2	5	150106001
KF63BA	Aluminum	87	70	5	150107001
KF80BA	Aluminum	114	83	12	150108001
KF100BA	Aluminum	134	102	12	150109001
KF160BA	Aluminum	190	153	12	150112001

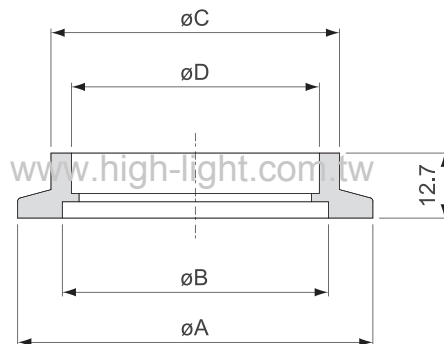


## Bored Blank



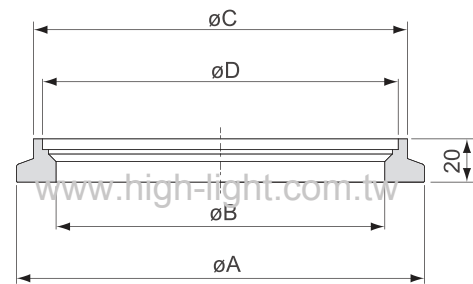
Model No.	Material	A	B	C	D	Parts No.
KF10B12	304 S.S.	30	12.2	5	12.9	150201073
KF16B19	304 S.S.	30	17.2	5	19.3	150202093
KF25B25	304 S.S.	40	26.2	5	25.7	150203113
KF40B38	304 S.S.	55	41.2	5	38.4	150205133
KF50B51	304 S.S.	75	52.2	5	51	150206143
KF63B63	304 S.S.	87	70	5	63.7	150207153
KF80B76	304 S.S.	114	83	12	76.4	150208163
KF100B102	304 S.S.	134	102	12	101.8	150209183
KF160B153	304 S.S.	190	153	12	152.9	150212203

## Socket Weld Flange



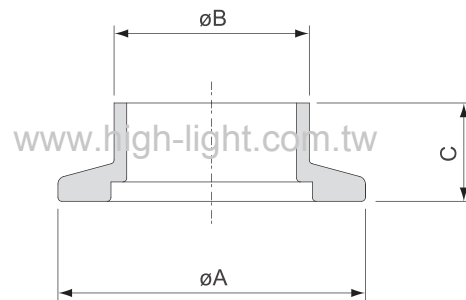
Model No.	Material	A	B	C	D	Parts No.
KF10WS	304 S.S.	30	12.2	16.5	13	150901073
KF16WS	304 S.S.	30	17.2	20.5	19.3	150902093
KF25WS	304 S.S.	40	26.2	29	25.7	150903113
KF40WS	304 S.S.	55	41.2	44.7	38.4	150905133
KF50WS	304 S.S.	75	52.2	57.4	51	150906143
KF63WS	304 S.S.	87	70	67.5	63.7	150907153

## Socket Weld Flange



Model No.	Material	A	B	C	D	Parts No.
KF80WS	304 S.S.	114	83	98	89.5	150908AL3
KF100WS	304 S.S.	134	102	118	114.5	150909AN3
KF160WS	304 S.S.	190	153	174	165.5	150912AQ3

## Half Nipple (Short)



Model No.	Available Area	Material	A	B	C	Parts No.
KF10SHNSA	U.S.A	304 S.S.	30	12.7	12.7	150301073
KF16SHNSA	U.S.A	304 S.S.	30	19.05	12.7	150302093
KF25SHNSA	U.S.A	304 S.S.	40	25.4	12.7	150303113
KF40SHNSA	U.S.A	304 S.S.	55	38.1	19.1	150305133
KF50SHNSA	U.S.A	304 S.S.	75	50.8	19.1	150306143

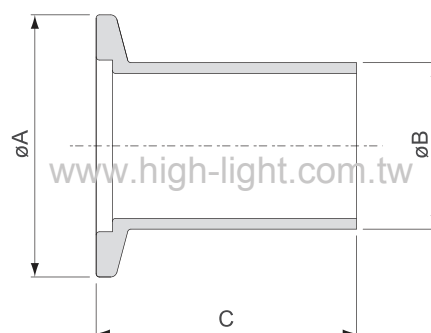
### Special Sizes Available Upon Request

KF10SHNSE	Europe	304 S.S.	30	14	30	150501AB3
KF16SHNSE	Europe	304 S.S.	30	20	30	150502AD3
KF25SHNSE	Europe	304 S.S.	40	28	30	150503AE3
KF40SHNSE	Europe	304 S.S.	55	45	30	150505AG3
KF50SHNSE	Europe	304 S.S.	75	57	30	150506AJ3

### Special Sizes Available Upon Request

KF25SHNSJ27	Japan	304 S.S.	40	27.2	20	150703AE3
KF40SHNSJ42	Japan	304 S.S.	55	42.7	20	150705AG3
KF50SHNSJ60	Japan	304 S.S.	75	60.5	20	150706AJ3

## Half Nipple (Long)

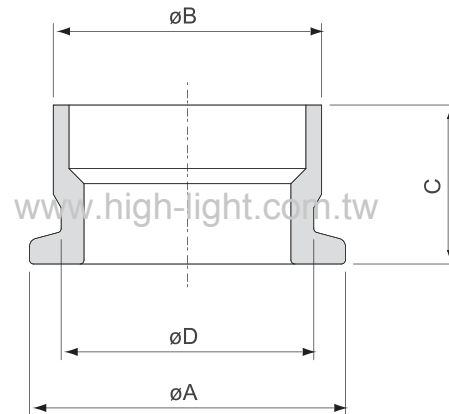


Model No.	Available Area	Material	A	B	C	Parts No.
KF10LHNSA	U.S.A	304 S.S.	30	12.7	40	150401073
KF16LHNSA	U.S.A	304 S.S.	30	19.05	40	150402093
KF25LHNSA	U.S.A	304 S.S.	40	25.4	40	150403113
KF40LHNSA	U.S.A	304 S.S.	55	38.1	40	150405133
KF50LHNSA	U.S.A	304 S.S.	75	50.8	40	150406143
KF10LHNAA	U.S.A	Aluminum	30	12.7	40	150401071
KF16LHNAA	U.S.A	Aluminum	30	19.05	40	150402091
KF25LHNAA	U.S.A	Aluminum	40	25.4	40	150403111
KF40LHNAA	U.S.A	Aluminum	55	38.1	40	150405131
KF50LHNAA	U.S.A	Aluminum	75	50.8	40	150406141

### Special Sizes Available Upon Request

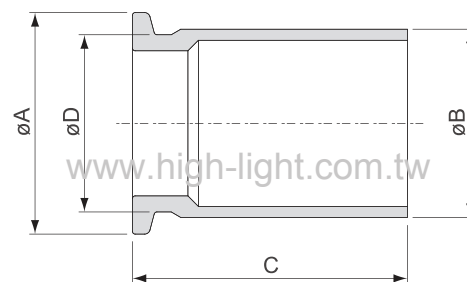
KF10LHNSE	Europe	304 S.S.	30	14	70	150601AB3
KF16LHNSE	Europe	304 S.S.	30	20	70	150602AD3
KF25LHNSE	Europe	304 S.S.	40	28	70	150603AE3
KF40LHNSE	Europe	304 S.S.	55	45	70	150605AG3
KF50LHNSE	Europe	304 S.S.	75	57	70	150606AJ3
KF50LHNSJ	Japan	304 S.S.	75	60.5	40	150806AJ3

## Half Nipple (Short for JIS Pipe)



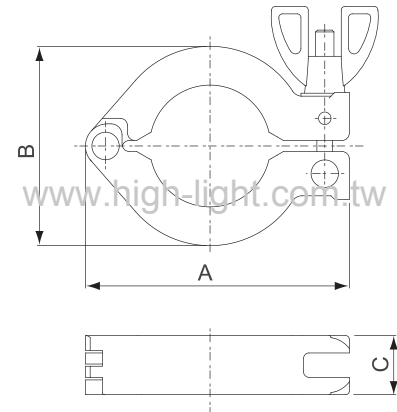
Model No.	Available Area	Material	A	B	C	D	Parts No.
KF25SHNSJ34	Japan	304 S.S.	40	34	20	32	150703AF3
KF40SHNSJ48	Japan	304 S.S.	55	48.6	20	45	150705AH3

## Half Nipple(Long for JIS Pipe)



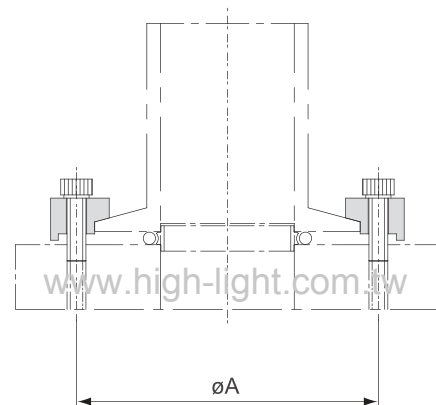
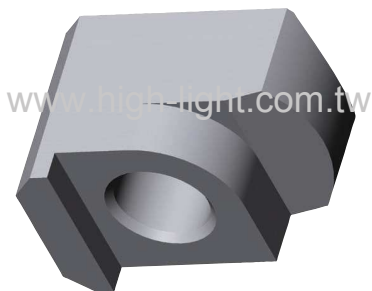
Model No.	Available Area	Material	A	B	C	D	Parts No.
KF25LHNSJ	Japan	304 S.S.	40	34	40	32	150803AF3
KF40LHNSJ	Japan	304 S.S.	55	48.6	40	45	150805AH3

## Clamp



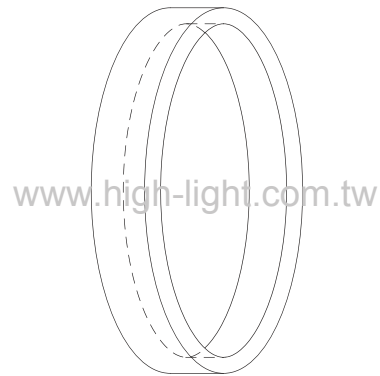
Model No.	Surface Treatment	Material	A	B	C	Parts No.
KF16CLA		Aluminum	63	42.5	16	21010511
KF25CLA		Aluminum	72	54	16	21010611
KF40CLA		Aluminum	90	70	16	21010811
KF50CLA		Aluminum	114	90	20	21010911
KF16CLA-NP	Nickel Plating	Aluminum	63	42.5	16	21010521
KF25CLA-NP	Nickel Plating	Aluminum	72	54	16	21010621
KF40CLA-NP	Nickel Plating	Aluminum	90	70	16	21010821
KF50CLA-NP	Nickel Plating	Aluminum	114	90	20	21010921

## Nail Clamp



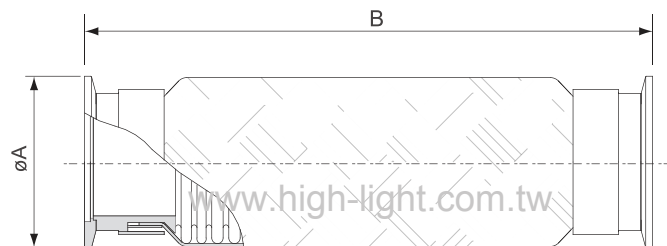
Model No.	Material	Fits Size	Bolt	Quantity	A	Parts No.
KF-NCA	Aluminum	KF10	M6*20	3	43	2103A111
KF-NCA	Aluminum	KF16	M6*20	3	43	2103A111
KF-NCA	Aluminum	KF25	M6*20	4	53	2103A111
KF-NCA	Aluminum	KF40	M6*20	4	68	2103A111
KF-NCA	Aluminum	KF50	M6*20	6	88	2103A111

## Cap



Model No.	Material	Fits Flange	Parts No.
KF10CAP	Polyethylene	KF10	5085DG
KF16CAP	Polyethylene	KF16	5085DG
KF25CAP	Polyethylene	KF25	5085DY
KF40CAP	Polyethylene	KF40	5085EJ
KF50CAP	Polyethylene	KF50	5085FD
KF63CAP	Polyethylene	KF63	5085FX
KF80CAP	Polyethylene	KF80	5085H3
KF100CAP	Polyethylene	KF100	5085HX

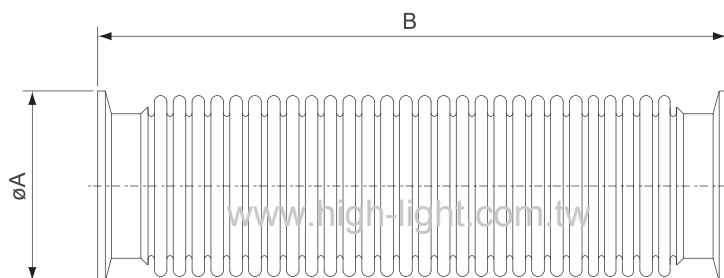
## KF Braided Flexible Hoses



Model No.	Material	A	B	Parts No.
KF16BFX250	304 S.S.	30	250	40210550250AA
KF16BFX500	304 S.S.	30	500	40210550500AA
KF16BFX750	304 S.S.	30	750	40210550750AA
KF16BFX1000	304 S.S.	30	1000	40210551000AA
KF25BFX250	304 S.S.	40	250	40210560250AA
KF25BFX500	304 S.S.	40	500	40210560500AA
KF25BFX750	304 S.S.	40	750	40210560750AA
KF25BFX1000	304 S.S.	40	1000	40210561000AA
KF40BFX250	304 S.S.	55	250	40210570250AA
KF40BFX500	304 S.S.	55	500	40210570500AA
KF40BFX750	304 S.S.	55	750	40210570750AA
KF40BFX1000	304 S.S.	55	1000	40210571000AA
KF50BFX250	304 S.S.	75	250	40210580250AA
KF50BFX500	304 S.S.	75	500	40210580500AA
KF50BFX750	304 S.S.	75	750	40210580750AA
KF50BFX1000	304 S.S.	75	1000	40210581000AA

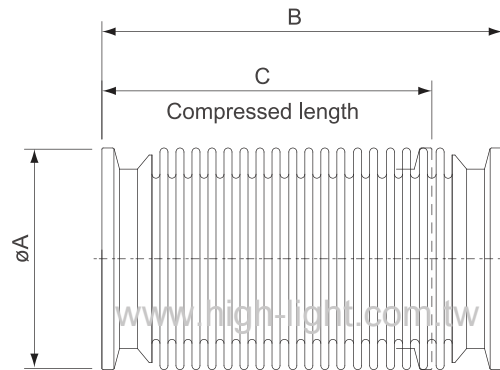


## KF Flexible Hoses



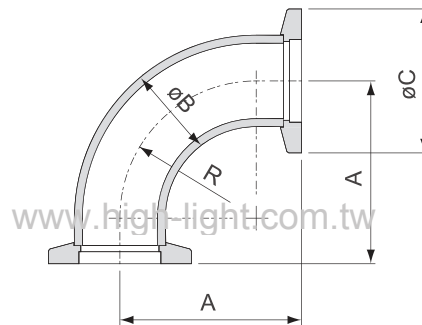
Model No.	Material	A	B	Parts No.
KF16FX250	304 S.S.	30	250	40010550250AA
KF16FX500	304 S.S.	30	500	40010550500AA
KF16FX750	304 S.S.	30	750	40010550750AA
KF16FX1000	304 S.S.	30	1000	40010551000AA
KF25FX250	304 S.S.	40	250	40010560250AA
KF25FX500	304 S.S.	40	500	40010560500AA
KF25FX750	304 S.S.	40	750	40010560750AA
KF25FX1000	304 S.S.	40	1000	40010561000AA
KF40FX250	304 S.S.	55	250	40010570250AA
KF40FX500	304 S.S.	55	500	40010570500AA
KF40FX750	304 S.S.	55	750	40010570750AA
KF40FX1000	304 S.S.	55	1000	40010571000AA
KF50FX250	304 S.S.	75	250	40010580250AA
KF50FX500	304 S.S.	75	500	40010580500AA
KF50FX750	304 S.S.	75	750	40010580750AA
KF50FX1000	304 S.S.	75	1000	40010581000AA

## KF Compressible Bellows Connections



Model No	Material	A	B	C	Parts No
Excluding Bellows					
KF10FXC100	304 S.S.	30	100	80	40310410100AA
KF16FXC100	304 S.S.	30	100	80	40310430100AA
KF25FXC100	304 S.S.	40	100	80	40310440100AA
KF40FXC100	304 S.S.	55	100	80	40310450100AA
KF50FXC100	304 S.S.	75	100	80	40310460100AA

## KF 90° Elbows

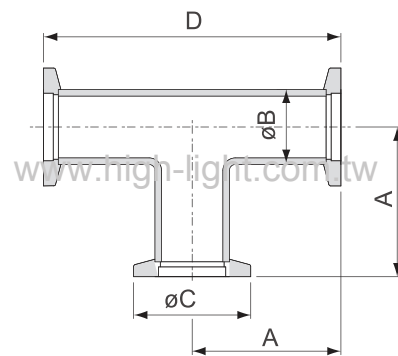


Model No	Available Area	Material	A	B	C	R	Parts No
KF16EL90A	USA	304 S.S.	38.3	19.05	30	28.6	16031021024
KF25EL90A	USA	304 S.S.	56.2	25.4	40	38.1	16031031034
KF40EL90A	USA	304 S.S.	78.4	38.1	55	57.2	16031051054
KF50EL90A	USA	304 S.S.	107	50.8	75	76.2	16031061064

Model No	Available Area	Material	A	B	C	R	Parts No
KF16EL90E	Europe	304 S.S.	40	19.05	30	28.6	16041021024
KF25EL90E	Europe	304 S.S.	50.8	25.4	40	38.1	16041031034
KF40EL90E	Europe	304 S.S.	65	38.1	55	57.2	16041051054
KF50EL90E	Europe	304 S.S.	80	50.8	75	76.2	16041061064

Special Size Available Upon Request

## KF Tees

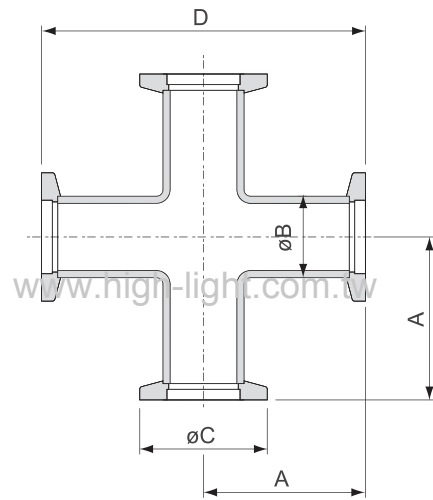


Model No	Available Area	Material	A	B	C	D	Parts No
KF16TA	USA	304 S.S.	38.3	19.05	30	76.6	16151021024
KF25TA	USA	304 S.S.	51.4	25.4	40	102.8	16151031034
KF40TA	USA	304 S.S.	61	38.1	55	122	16151051054
KF50TA	USA	304 S.S.	80	50.8	75	160	16151061064

Model No	Available Area	Material	A	B	C	D	Parts No
KF16TE	Europe	304 S.S.	40	19.05	30	80	16161021024
KF25TE	Europe	304 S.S.	50	25.4	40	100	16161031034
KF40TE	Europe	304 S.S.	65	38.1	55	130	16161051054
KF50TE	Europe	304 S.S.	70	50.8	75	140	16161061064

Special Size Available Upon Request

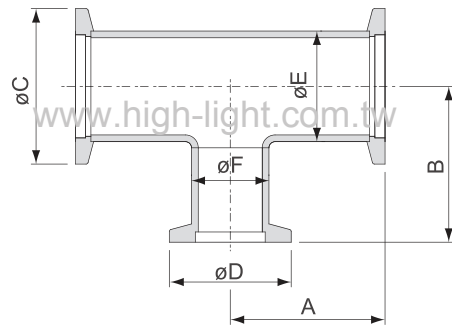
## KF 4-Way Crosses



Model No.	Available Area	Material	A	B	C	D	Parts No.
KF16XA	USA	304 S.S.	38.3	19.05	30	76.6	16191021024
KF25XA	USA	304 S.S.	51.4	25.4	40	102.8	16191031034
KF40XA	USA	304 S.S.	61	38.1	55	122	16191051054
KF50XA	USA	304 S.S.	80	50.8	75	160	16191061064
Model No.	Available Area	Material	A	B	C	D	Parts No.
KF16XE	Europe	304 S.S.	40	19.05	30	80	16201021024
KF25XE	Europe	304 S.S.	50	25.4	40	100	16201031034
KF40XE	Europe	304 S.S.	65	38.1	55	130	16201051054
KF50XE	Europe	304 S.S.	70	50.8	75	140	16201061064

Special Size Available Upon Request

## KF Unequal Tees

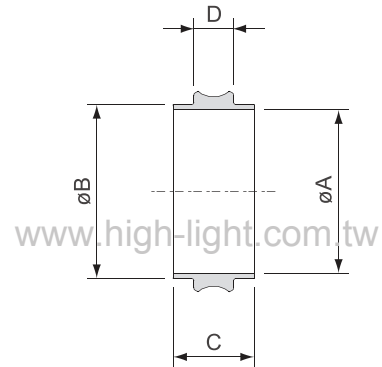


Model No.	Available Area	Material	A	B	C	D	E	F	Parts No.
KF25UT16A	USA	304 S.S.	52	37.5	40	30	25.4	19.05	16171031024
KF40UT16A	USA	304 S.S.	61	52	55	30	38.1	19.05	16171051024
KF40UT25A	USA	304 S.S.	61	57.8	55	40	38.1	25.4	16171051034
KF50UT16A	USA	304 S.S.	80	58.2	75	30	50.8	19.05	16171061024
KF50UT25A	USA	304 S.S.	80	64.1	75	40	50.8	25.4	16171061034
KF50UT40A	USA	304 S.S.	80	67.3	75	55	50.8	38.1	16171061054

Model No.	Available Area	Material	A	B	C	D	E	F	Parts No.
KF25UT16E	Europe	304 S.S.	50	40	40	30	25.4	19.05	16181031024
KF40UT16E	Europe	304 S.S.	65	40	55	30	38.1	19.05	16181051024
KF40UT25E	Europe	304 S.S.	65	50	55	40	38.1	25.4	16181051034
KF50UT16E	Europe	304 S.S.	70	50	75	30	50.8	19.05	16181061024
KF50UT25E	Europe	304 S.S.	70	65	75	40	50.8	25.4	16181061034
KF50UT40E	Europe	304 S.S.	70	65	75	55	50.8	38.1	16181061054

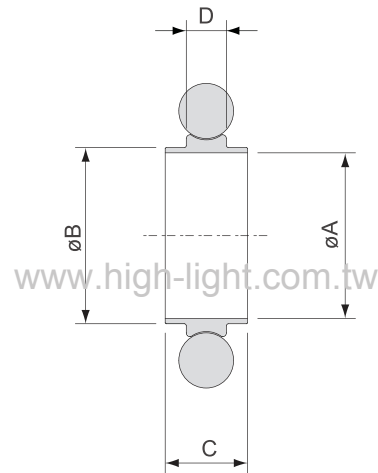
Special Size Available Upon Request

## KF Centering Ring



Model No.	Material	A	B	C	D	Parts No.
KF10CRS	304 S.S.	10	12	8	3.9	180003410
KF16CRS	304 S.S.	16	17	8	3.9	180005410
KF25CRS	304 S.S.	25	26	8	3.9	180006410
KF40CRS	304 S.S.	40	41	8	3.9	180008410
KF50CRS	304 S.S.	50	52	8	3.9	180009410
KF10CRA	Al	10	12	8	3.9	180003110
KF16CRA	Al	16	17	8	3.9	180005110
KF25CRA	Al	25	26	8	3.9	180006110
KF40CRA	Al	40	41	8	3.9	180008110
KF50CRA	Al	50	52	8	3.9	180009110

## KF Centering Ring with O'Ring



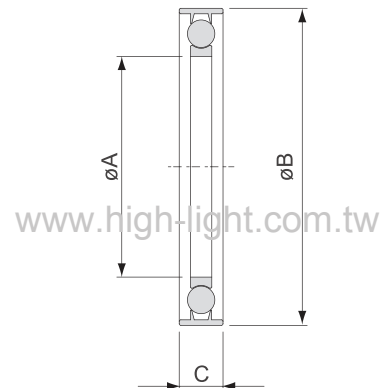
Model No.	Material C/R	O'Ring O'Ring	O'Ring Size	A	B	C	D	Parts No.
KF10CRVS	304 S.S.	Viton	AS-311	10	12	8	3.9	180103411
KF16CRVS	304 S.S.	Viton	AS-314	16	17	8	3.9	180105411
KF25CRVS	304 S.S.	Viton	AS-320	25	26	8	3.9	180106411
KF40CRVS	304 S.S.	Viton	AS-326	40	41	8	3.9	180108411
KF50CRVS	304 S.S.	Viton	AS-330	50	52	8	3.9	180109411
KF10CRVA	Al	Viton	AS-311	10	12	8	3.9	180103111
KF16CRVA	Al	Viton	AS-314	16	17	8	3.9	180105111
KF25CRVA	Al	Viton	AS-320	25	26	8	3.9	180106111
KF40CRVA	Al	Viton	AS-326	40	41	8	3.9	180108111
KF50CRVA	Al	Viton	AS-330	50	52	8	3.9	180109111
KF10CRNS	304 S.S.	NBR	AS-311	10	12	8	3.9	180303412
KF16CRNS	304 S.S.	NBR	AS-314	16	17	8	3.9	180305412
KF25CRNS	304 S.S.	NBR	AS-320	25	26	8	3.9	180306412
KF40CRNS	304 S.S.	NBR	AS-326	40	41	8	3.9	180308412
KF50CRNS	304 S.S.	NBR	AS-330	50	52	8	3.9	180309412
KF10CRNA	Al	NBR	AS-311	10	12	8	3.9	180303112
KF16CRNA	Al	NBR	AS-314	16	17	8	3.9	180305112
KF25CRNA	Al	NBR	AS-320	25	26	8	3.9	180306112
KF40CRNA	Al	NBR	AS-326	40	41	8	3.9	180308112
KF50CRNA	Al	NBR	AS-330	50	52	8	3.9	180309112

O'Ring color for NBR material is black, brown is available upon request  
O'Ring color for Viton material is brown, black is available upon request

## KF Centering Ring, with Outer Ring & O'Ring



www.high-light.com.tw



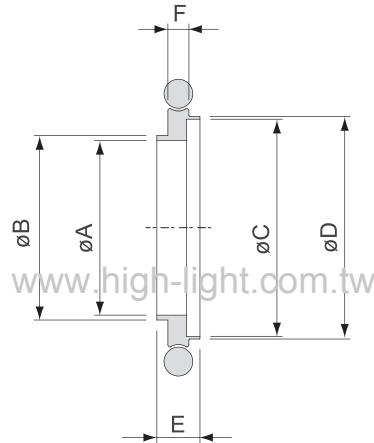
www.high-light.com.tw

Model No.	Material		O'Ring	O'Ring Size	A	B	C	Parts No.
	O/R	C/R						
KF16OCRVS	Al	304 S.S.	Viton	5018	16	32.5	8	181105421
KF25OCRVS	Al	304 S.S.	Viton	5028	25	42.5	8	181106421
KF40OCRVS	Al	304 S.S.	Viton	5042	40	57.5	8	181108421
KF50OCRVS	Al	304 S.S.	Viton	AS-330	50	77.5	8	181109421
KF16OCRVS-316	Al	316 S.S.	Viton	5018	16	32.5	8	181105621
KF25OCRVS-316	Al	316 S.S.	Viton	5028	25	42.5	8	181106621
KF40OCRVS-316	Al	316 S.S.	Viton	5042	40	57.5	8	181108621
KF50OCRVS-316	Al	316 S.S.	Viton	AS-330	50	77.5	8	181109621

O'Ring's color is brown, black is available upon request



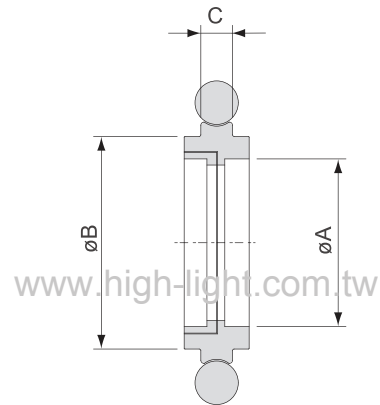
## KF Centering Ring Adaptor, O'Ring



Model No.	Material C/R	O'Ring O'Ring	O'Ring Size	A	B	C	D	E	F	Parts No.
KF10CR16VS	304 S.S.	Viton	AS-314	10	12	16	17	8	3.9	19011A411
KF20CR25VS	304 S.S.	Viton	AS-320	20	22	25	26	8	3.9	19011B411
KF32CR40VS	304 S.S.	Viton	AS-326	32	34	40	41	8	3.9	19011C411
KF10CR16VA	Al	Viton	AS-314	10	12	16	17	8	3.9	19011A111
KF20CR25VA	Al	Viton	AS-320	20	22	25	26	8	3.9	19011B111
KF32CR40VA	Al	Viton	AS-326	32	34	40	41	8	3.9	19011C111
KF10CR16NS	304 S.S.	NBR	AS-314	10	12	16	17	8	3.9	19031A412
KF20CR25NS	304 S.S.	NBR	AS-320	20	22	25	26	8	3.9	19031B412
KF32CR40NS	304 S.S.	NBR	AS-326	32	34	40	41	8	3.9	19031C412
KF10CR16NA	Al	NBR	AS-314	10	12	16	17	8	3.9	19031A112
KF20CR25NA	Al	NBR	AS-320	20	22	25	26	8	3.9	19031B112
KF32CR40NA	Al	NBR	AS-326	32	34	40	41	8	3.9	19031C112

O'Ring color for NBR material is black, brown is available upon request  
O'Ring color for Viton material is brown, black is available upon request

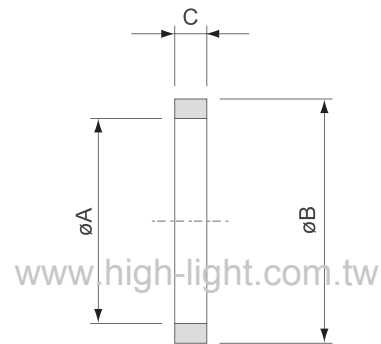
## KF Meshed Centering Ring



Model No.	Material	O'Ring	Mesh/In <sup>2</sup>	A	B	C	Parts No.	
	C/R	O'Ring	Size					
KF16M3CRVS	304 S.S.	Viton	AS-314	900	12	17	3.9	183105411
KF25M3CRVS	304 S.S.	Viton	AS-320	900	20.5	26	3.9	183106411
KF40M3CRVS	304 S.S.	Viton	AS-326	900	35.8	41	3.9	183108411
KF50M3CRVS	304 S.S.	Viton	AS-330	900	46.3	52	3.9	183109411
KF63M3CRVS	304 S.S.	Viton	AS-337	900	60.5	69.6	3.9	183110411
KF80M3CRVS	304 S.S.	Viton	AS-341	900	73.6	82.6	3.9	183111411
KF100M3CRVS	304 S.S.	Viton	AS-347	900	91.8	101.6	3.9	183112411
KF160M3CRVS	304 S.S.	Viton	AS-362	900	143.5	152.6	3.9	183115411
KF16M3CRNS	304 S.S.	NBR	AS-314	900	12	17	3.9	183305412
KF25M3CRNS	304 S.S.	NBR	AS-320	900	20.5	26	3.9	183306412
KF40M3CRNS	304 S.S.	NBR	AS-326	900	35.8	41	3.9	183308412
KF50M3CRNS	304 S.S.	NBR	AS-330	900	46.3	52	3.9	183309412
KF63M3CRNS	304 S.S.	NBR	AS-337	900	60.5	69.6	3.9	183310412
KF80M3CRNS	304 S.S.	NBR	AS-341	900	73.6	82.6	3.9	183311412
KF100M3CRNS	304 S.S.	NBR	AS-347	900	91.8	101.6	3.9	183312412
KF160M3CRNS	304 S.S.	NBR	AS-362	900	143.5	152.6	3.9	183315412

O'Ring color for NBR material is black, brown is available upon request  
O'Ring color for Viton material is brown, black is available upon request

## KF Overpressure Ring



Model No.	Material	A	B	C	Parts No.
KF10OPR	304 S.S.	23.5	28	3.7	20000341
KF16OPR	304 S.S.	30.12	31.75	3.7	20000541
KF25OPR	304 S.S.	38.86	40.4	3.7	20000641
KF40OPR	304 S.S.	54	57.15	3.7	20000841
KF50OPR	304 S.S.	66.55	69.85	3.7	20000941
ISO80OPR	304 S.S.	100.2	106	3.9	20001141
ISO100OPR	304 S.S.	119.3	125.3	3.9	20001241
ISO160OPR	304 S.S.	170.4	176.4	3.9	20001541



**Htc 日揚科技**

[www.high-light.com.tw](http://www.high-light.com.tw)

**總公司 Headquarters**

709 台南市安南區工明南二路106號

No. 106, Gung-Min South Road II, An-Nan Area, Tainan City 709, Taiwan (R.O.C.)

TEL +886-6-2460296 FAX +886-6-2478022

<http://www.high-light.com.tw> Mail: [ec@high-light.com.tw](mailto:ec@high-light.com.tw)

**台南二廠 Tainan Factory II**

709 台南市安南區工明南一路101號

No. 101 Gung-Min South Road 1, An-Nan Area, Tainan City 709, Taiwan (R.O.C.)

TEL +886-6-5116111 FAX +886-6-2564001 +886-6-5105168

**日揚電子科技（上海）有限公司 Shanghai. Highlight Tech Co., Ltd.**

200444 上海市寶山城市工業園區域銀路51號

No. 51, Cheng Yin Rd, Baoshan City Industrial Zone, Shanghai 200444, China

TEL +86-21-36162036 FAX +86-21-36162037

<http://www.high-light.com.cn> Mail: [ec@high-light.com.tw](mailto:ec@high-light.com.tw)

**新竹技術服務中心 HSIN-CHU Technology Service Center**

303 新竹縣湖口鄉鳳山村中華路13號

No. 13, Zhonghua Road, Fengshan Village, Hukou Township, Hsinchu County, 303, Taiwan (R.O.C.)

TEL: +886-3-5973325 FAX: +886-3-5973083