

HEAT TORCH™



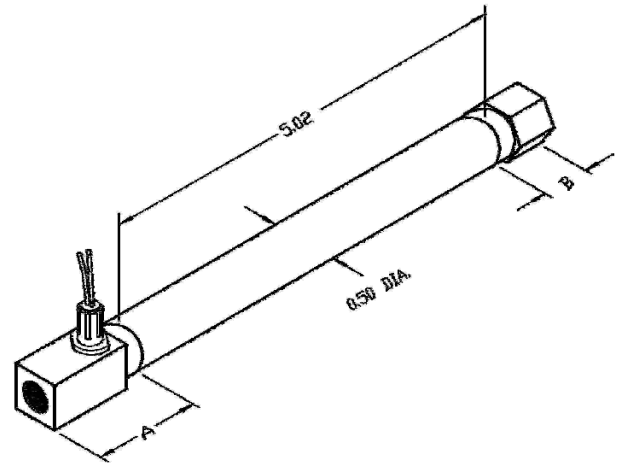
Shown with optional inlet & exhaust fittings

HT050

- This 0.5" diameter Heat Torch™ 050 Inline Heater is compact and reliable when moderate amounts of focused air are required.
- The Heat Torch™ 050 Air Heater has allowable air flow ranging from 1 to 10 SCFM and is available in power ratings of 100 watts to 500 watts (with standard increments of 50 watts). Maximum air input temperature is 250°F (121°C) with 1300°F (704°C) maximum output.
- Applications for Heat Torch™ 050 include staking, curing, drying, heat shrinking, sterilization, and adhesive activation.

Airflow (SCFM)	Pressure Drop (psig)
1	.53
2	2.1
3	4.7
4	8.4
5	13.2
6	19.0
7	25.8
8	33.7
9	42.7
10	52.7

Wattage	Min. SCFM Req.
0.1kW	1.0
0.2kW	1.0
0.3kW	1.0
0.4kW	1.0
0.5kW	1.0
0.6kW	1.0



Inlet Fitting	Dim. A	Exhaust Fitting	Dim. B
1/8F	1.32	1/8F	0.54
3/8F	1.45	1/4F	0.85
CB	1.32	NF	0.04

Wattage & Voltage Options

120V, single phase, 0.1kW-0.5kW
240V, single phase, 0.2kW-0.6kW

Other Options

Thermocouple Fitting
Thermocouple
Flexible Conduit

Fitting Options

Inlet Fitting:
1/8F- 1/8" FNPT
3/8F- 3/8" FNPT
CB- Counterbore 1/2" O.D.

Exhaust Fitting:
1/8F- 1/8" FNPT
1/4F- 1/4" FNPT
NF- No Fitting

Specifications

Category:	Inline Heaters, Process Heaters, Open Coil Heaters
Max. wattage:	0.6kW
Max. exhaust air temp.:	1300°F
Max. inlet air temp.:	250°F
(consult factory for higher inlet temp.)	
Max. SCFM:	10
Pressure Rating:	120 psig
Mounting:	Horizontal/Vertical
Leads:	20 gauge (12" long)
Heater Body:	Stainless Steel
Inlet Fitting:	Stainless Steel
Exhaust Fitting:	Stainless Steel

