

# Check Valve

## Fully Weld Type



### ■ Features

- Using SUS316L as a material , corrosion resistance is improved.
- All-welded design provides reliable containment of system fluid.
- Conserves panel space.
- Noise free operations.
- Cleanroom assembled and packaged

### ■ Major Specifications

Size	1/4"	3/8" , 1/2"
Cv Value	0.6	1.1
Max. Working Pressure (G.)	210kgf/cm <sup>2</sup> (20.6MPa)	
Max. Back Pressure (G.)	210kgf/cm <sup>2</sup> (20.6MPa)	
Nominal Cracking Pressure (G.)	0.15kgf/cm <sup>2</sup> (14.7KPa)	
Max. Working Temp.	-10°C ~ 80°C	
Internal Leakage Allowance (He) Test Pressure ≤ 1 × 10 <sup>2</sup> Torr Holding Time ≥ 30 sec.	≤ 4 × 10 <sup>-5</sup> atm · cc/sec (4 × 10 <sup>-6</sup> Pa · m <sup>3</sup> /s)	
External Leakage Allowance (He) Test Pressure ≤ 1 × 10 <sup>2</sup> Torr Holding Time ≥ 1 min.	≤ 1 × 10 <sup>-9</sup> atm · cc/sec (1 × 10 <sup>-10</sup> Pa · m <sup>3</sup> /s)	
Particle Inspection (EP only) Pressure : 3kgf/cm <sup>2</sup> N <sub>2</sub> Gas Sample Volume : 1CFM 0.1 μm and Larger	No count	

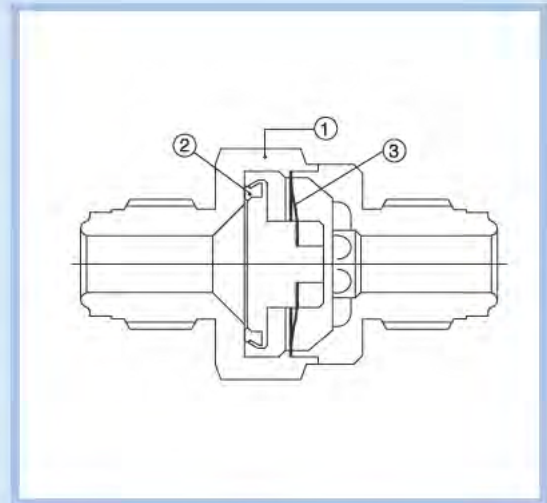


### Product Grade

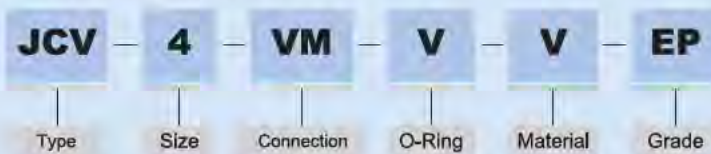
GRADE	AP	BA	EP
Inner Surface Roughness	Ry ≤ 25 μm Cut Off Length : 2.5mm Measuring Length : 12.5mm	Ry ≤ 3.0 μm 10μ inch Ra(Avg.) Cut Off Length : 0.8mm Measuring Length : 4mm	Ry ≤ 0.7 μm 5μ inch Ra(Avg.) Cut Off Length : 0.25mm Measuring Length : 1.25mm
Polishing	Machining Finish	Machining Finish	Electro Polishing Finish

### Material

NO.	NAME	MATERIAL
1	Body	SUS316L Single Melt(VOD) SUS316L Double Melt(VIM-VAR)
2	Seal Ring	VITON
3	Spring	Ni-Co Alloy



### Ordering Number



SIZ		CONNECTIO		O-Ring	MATERIAL		GRADE
4	1/4"	VM	VCR Male	V: viton	S	SUS316L Single Melt	AP Grade
8	1/2"	VF	VCR Female	K: kalrez	V	SUS316L Double Melt	BA Grade
		TS	Tube Butt Weld				EP Grade

### Dimension

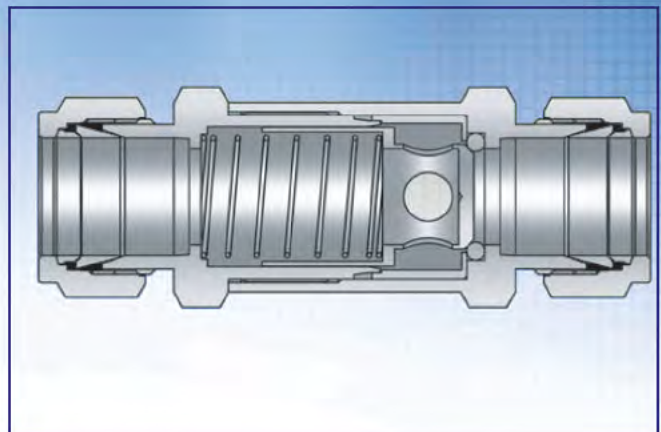
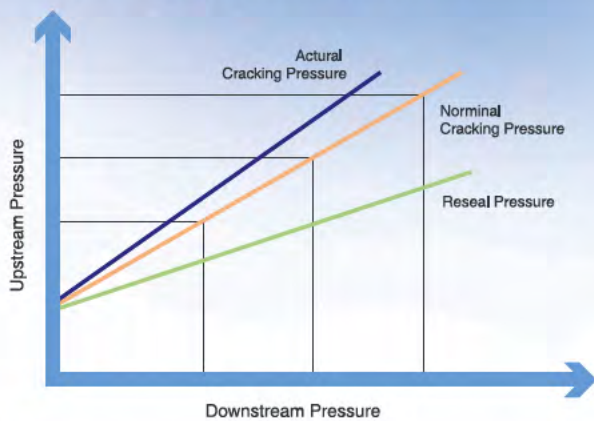
MODEL	CONNECTION	SIZE	A	B
	VCR Male	1/4"	45.8	22
		1/2"	52.3	27
	VCR Female	1/4"	61.7	22
		1/2"	61.7	27
	Tube Butt Weld	1/4"	31.5	22



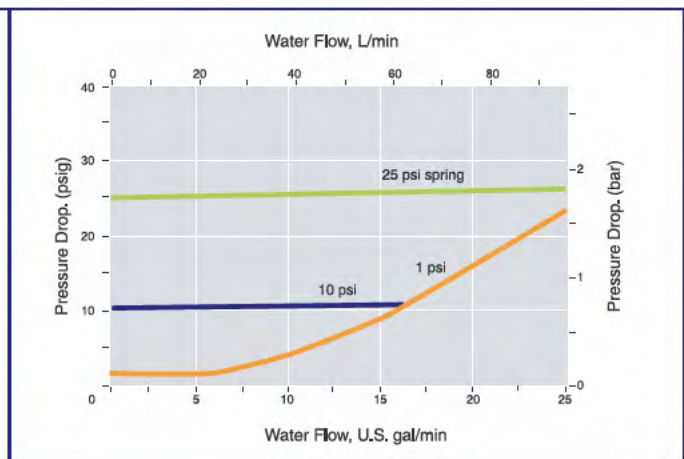
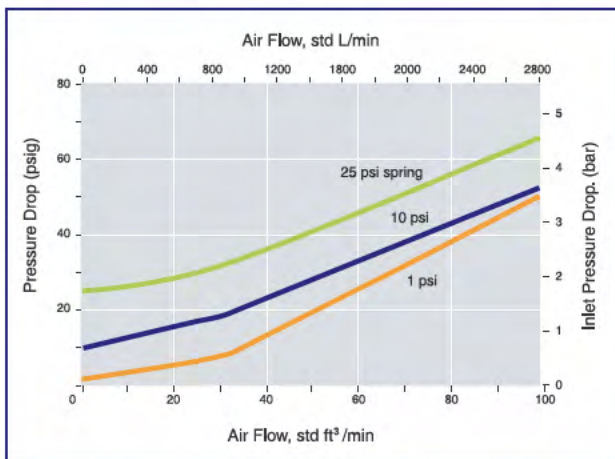
# Check Valve JSK



## Cracking & Reseal Pressure



## Flow Characteristics

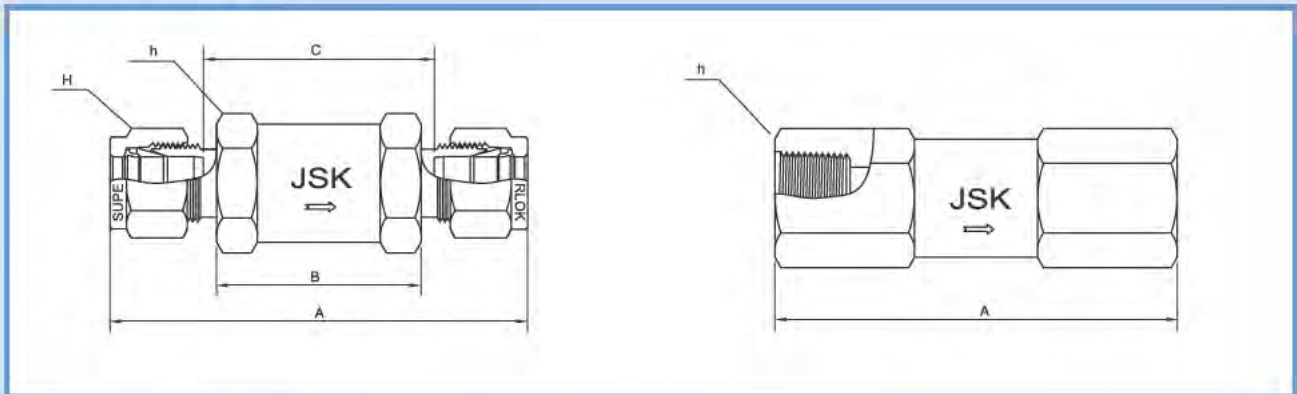


**SANKO KOGYO CO., LTD.**

<http://www.jsk-sanko.co.jp/>



### Check Valve



### Table of Dimensions

Series	Size	Connection	End Connection	Dimensions				
				A	B	C	h	H
JCV	2	SG	1/8" OD JK-LOK	57.15	26.6	31.2	15.88	11.11
	2	FN	1/8" Female NPT	50.00	-	-	15.88	-
	4	SG	1/4" OD JK-LOK	62.16	26.6	31.4	15.88	14.28
	4	FN	1/4" Female NPT	57.10	-	-	19.05	-
	6	SG	3/8" OD JK-LOK	76.20	37.6	42.4	22.22	17.46
	6	FN	3/8" Female NPT	73.90	-	-	22.22	-
	8	SG	1/2" OD JK-LOK	86.58	42.9	40.8	25.40	22.22
	8	FN	1/2" Female NPT	90.60	-	-	27.00	-
	10	SG	5/8" OD JK-LOK	91.68	48.0	42.8	28.50	25.40
	12	SG	3/4" OD JK-LOK	99.78	56.1	51.1	31.80	28.57
	12	FN	3/4" Female NPT	99.78	-	-	31.80	-
	16	SG	1" OD JK-LOK	111.22	58.4	48.9	38.10	38.1
16	FN	1" Female NPT	114.30	-	-	41.27	-	

### Ordering Information



### Technical Data

End Connection Size	Nominal Cracking Pressure	Maximum Working Pressure (21°C/70°F)	Maximum Back Pressure (21°C/70°F)
1/8, 1/4	0.5, 1, 10, 25 PSI	3000 PSI	1000 PSI
3/8, 1/2, 5/8		3000 PSI	200 PSI
3/4, 1		3000 PSI	200 PSI



### Head Office